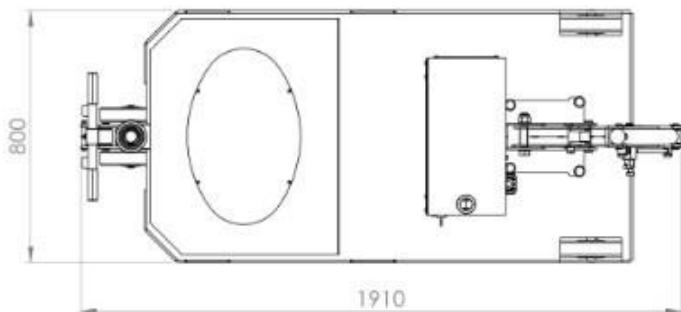
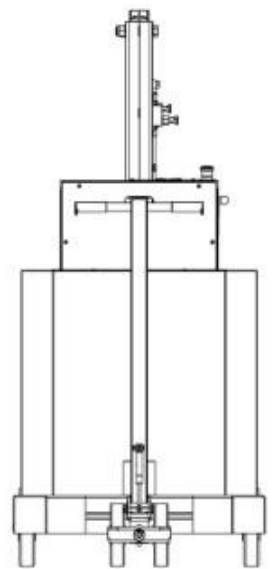
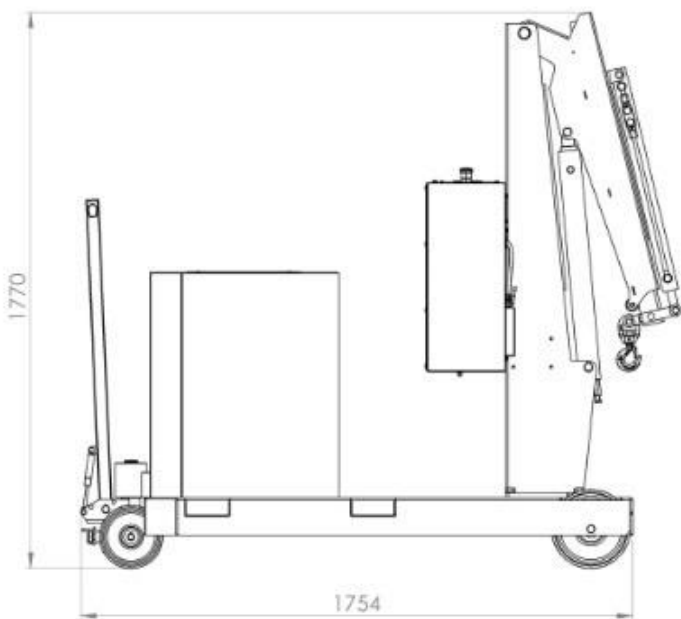


**CRANE GZ1000BSER**  
**LIFTING CAPACITY 1000 KG**  
**COUNTERBALANCED CRANE WITH RIGID ARM**  
**ELECTRIC LIFT/LOWER/EXTEND/RETRACT THROUGH PUSH BUTTON REMOTE CONTROL**  
**AT ADJUSTABLE SPEED**

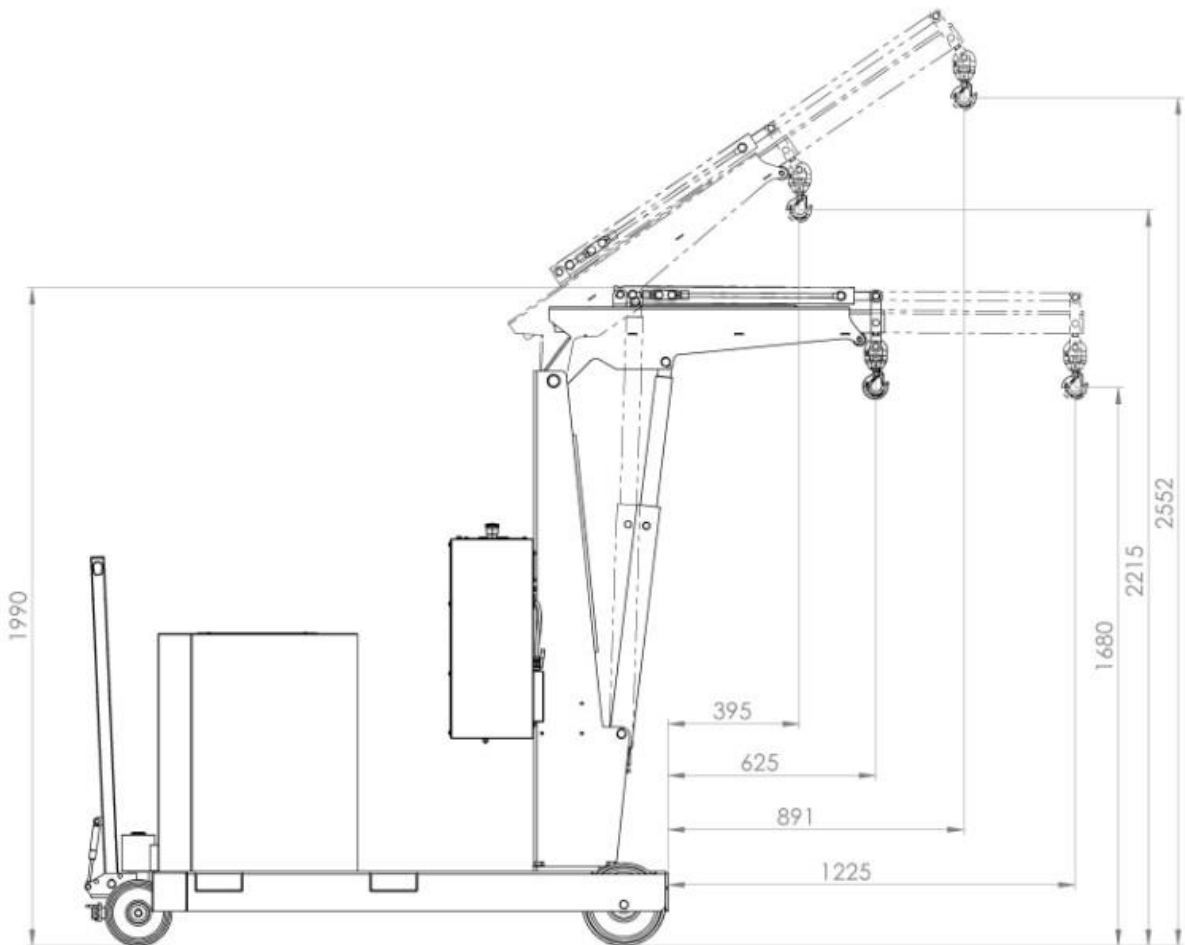


Model		GZ1000BSER
Drive		Manual
Rotation		Rigid arm
Arm lifting		Electric – remote control
Arm lowering		Electric – remote control
Arm extension		Electric – remote control
Width	mm/inch.	800 / 31
Max capacity with standard arm	Kg / lbs.	1000 / 2204 * see load chart below
Max capacity with extension PZF_SE	Kg / lbs.	200 / 440 * see load chart below
Weight of the crane (counterweight incl.)	Kg / lbs.	1195 / 2634
Battery type		Maintenance free AGM
Batteries nos.	pcs	1
Battery voltage / nominal capacity	V / Ah	12 / 120
Lifting motor	W	-
Traction motor	W	-

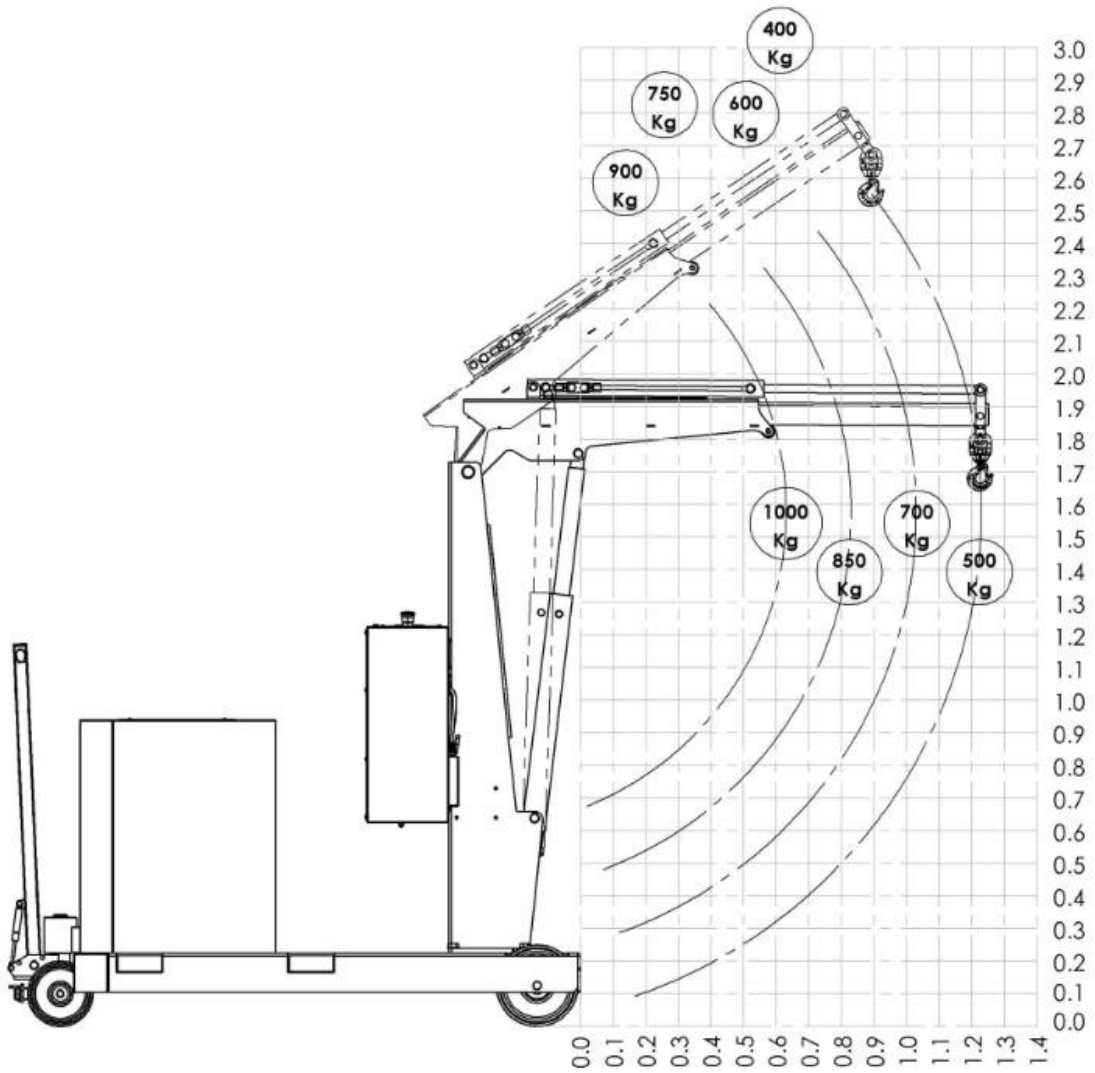
## CRANE GZ1000BSER MAIN DIMENSIONS



## CRANE GZ1000BSER DETAILED DIMENSIONS WITH STANDARD ARM



## CRANE GZ1000BSER LOAD CHART WITH STANDARD ARM



## CRANE GZ1000BSER LOAD CHART WITH OPTIONAL EXTENSION PZF\_SE

